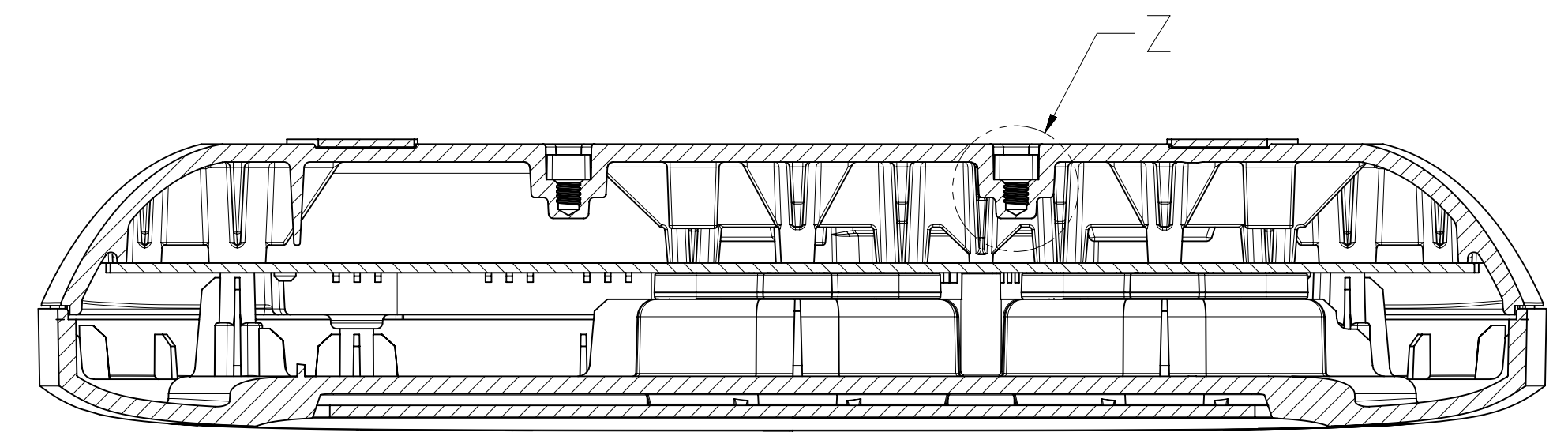
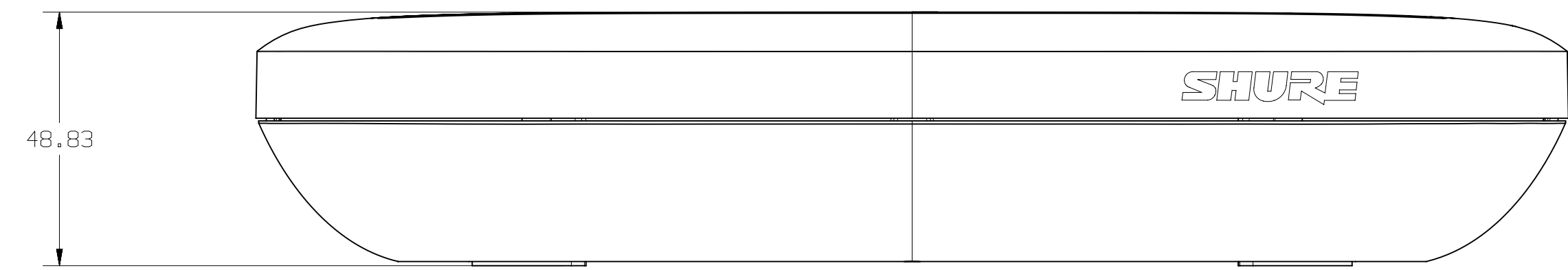
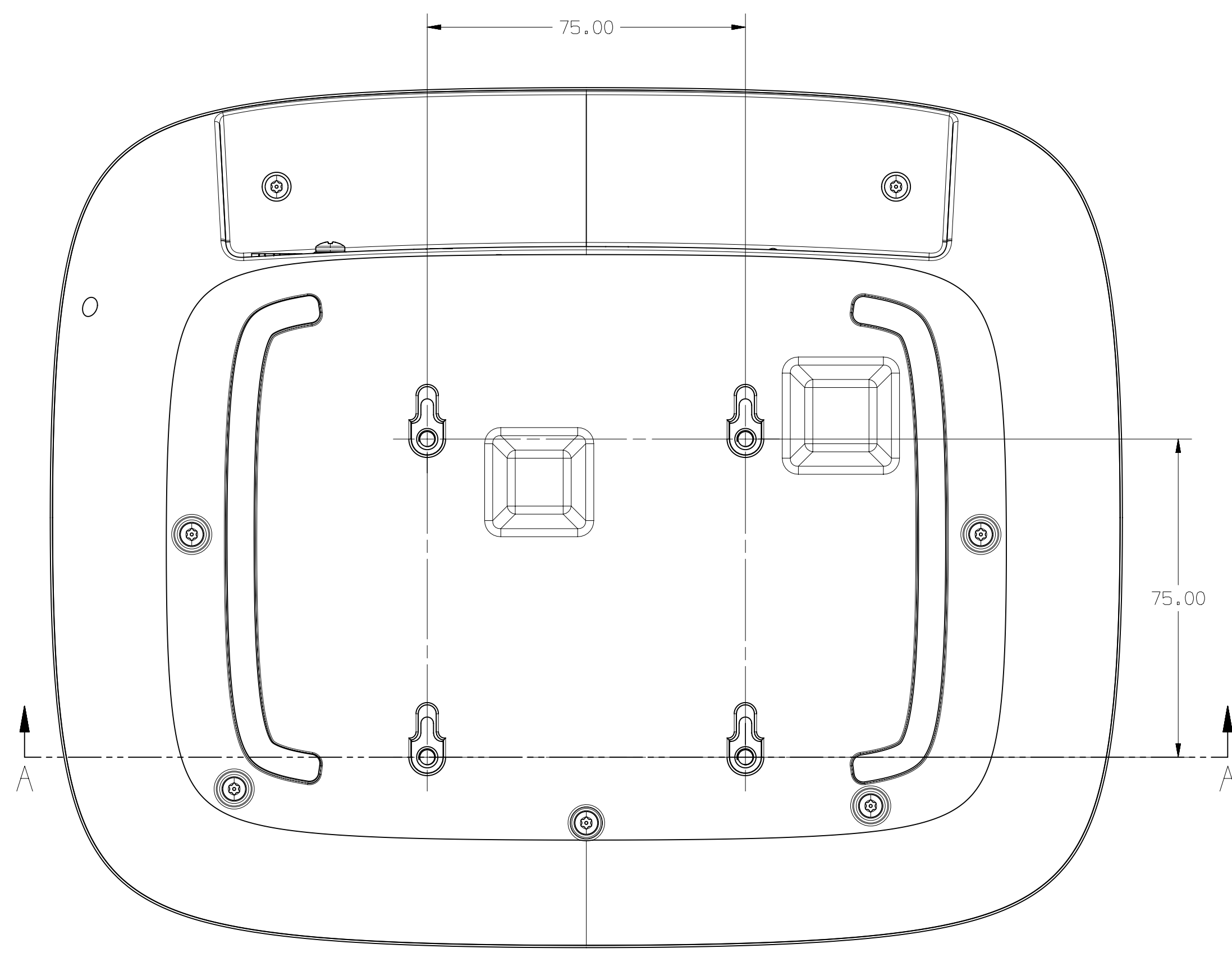
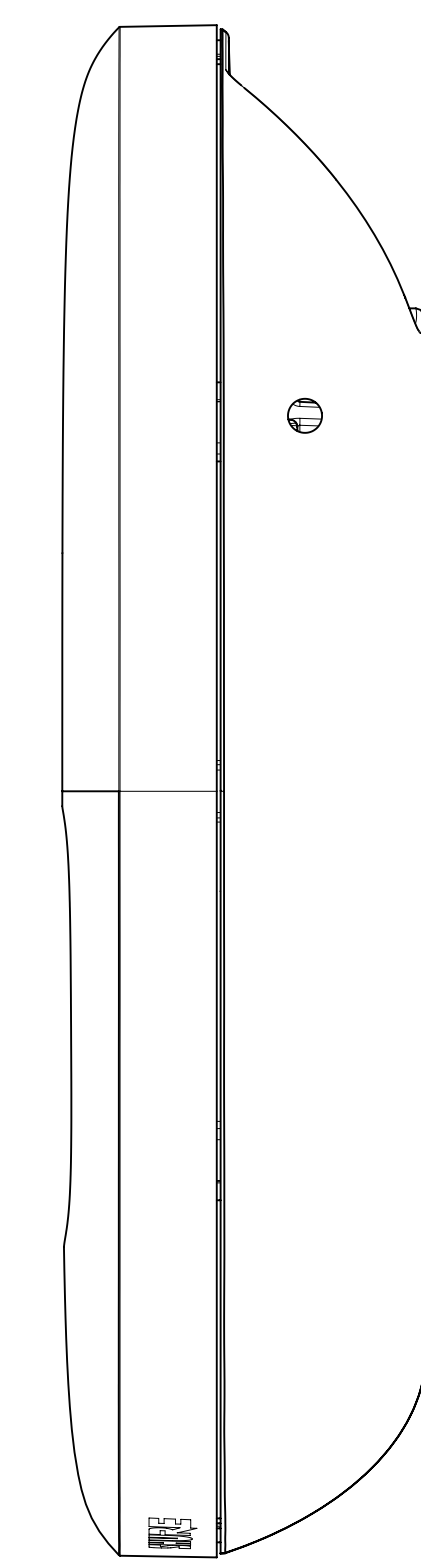
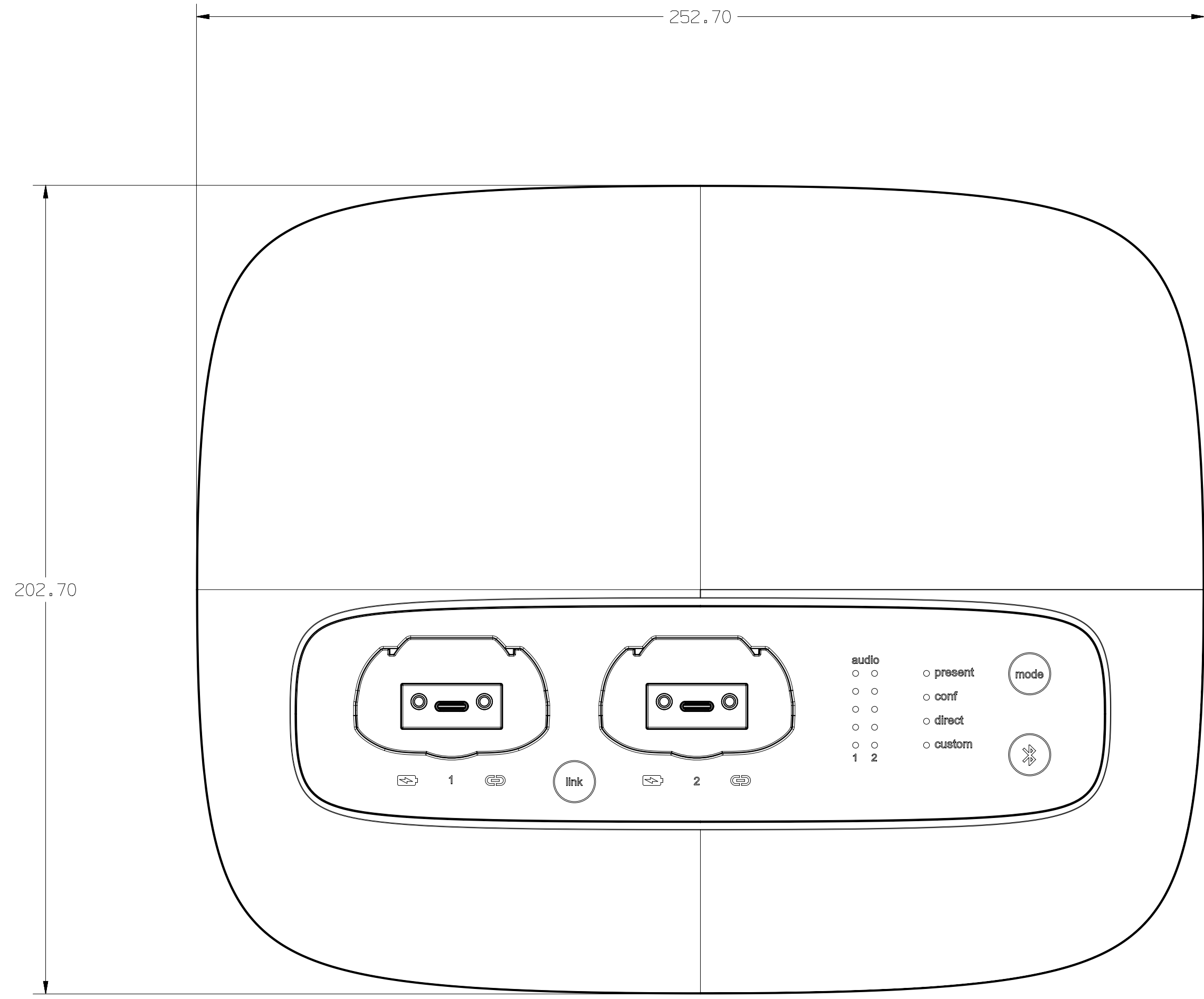
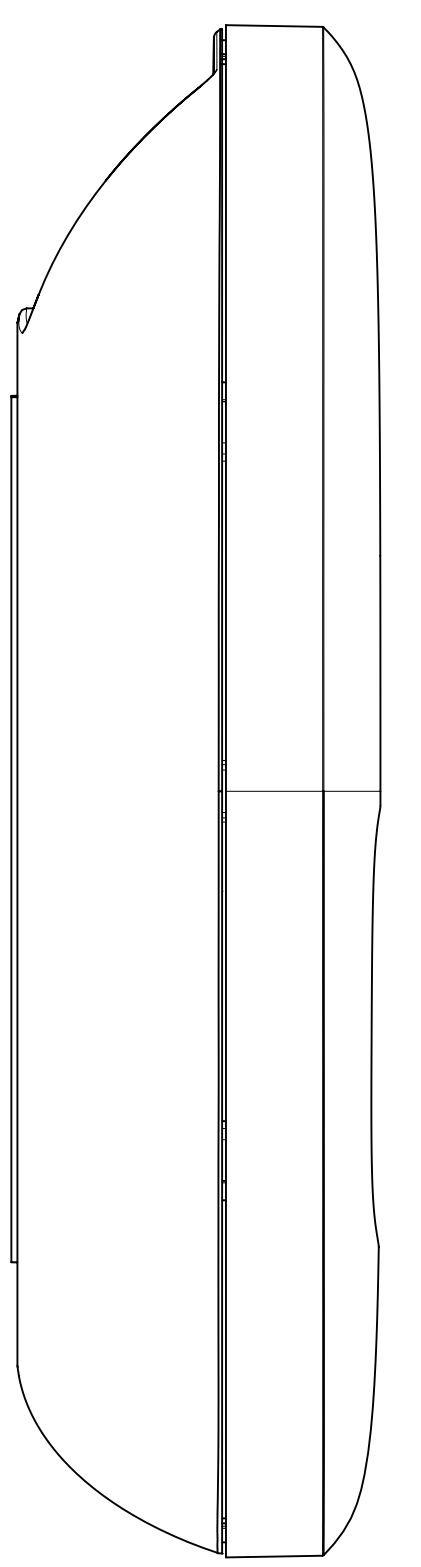
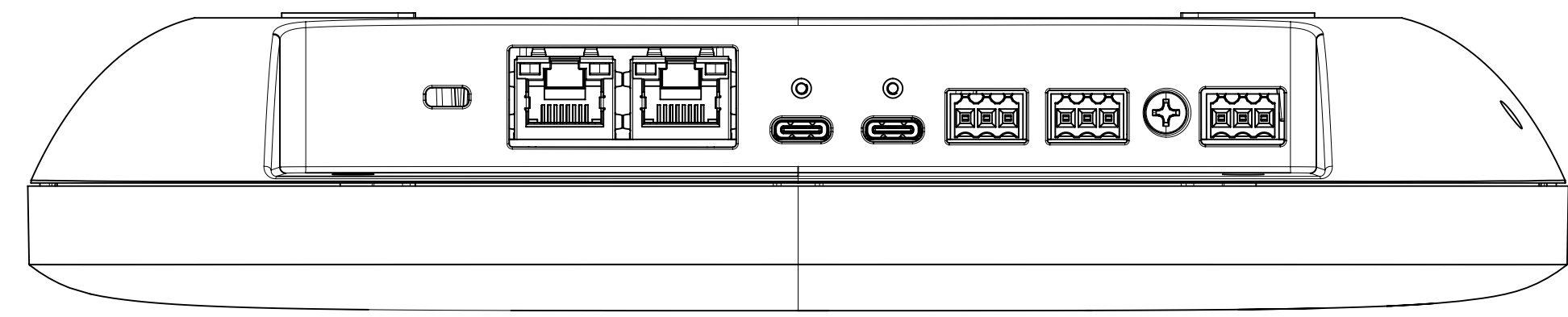
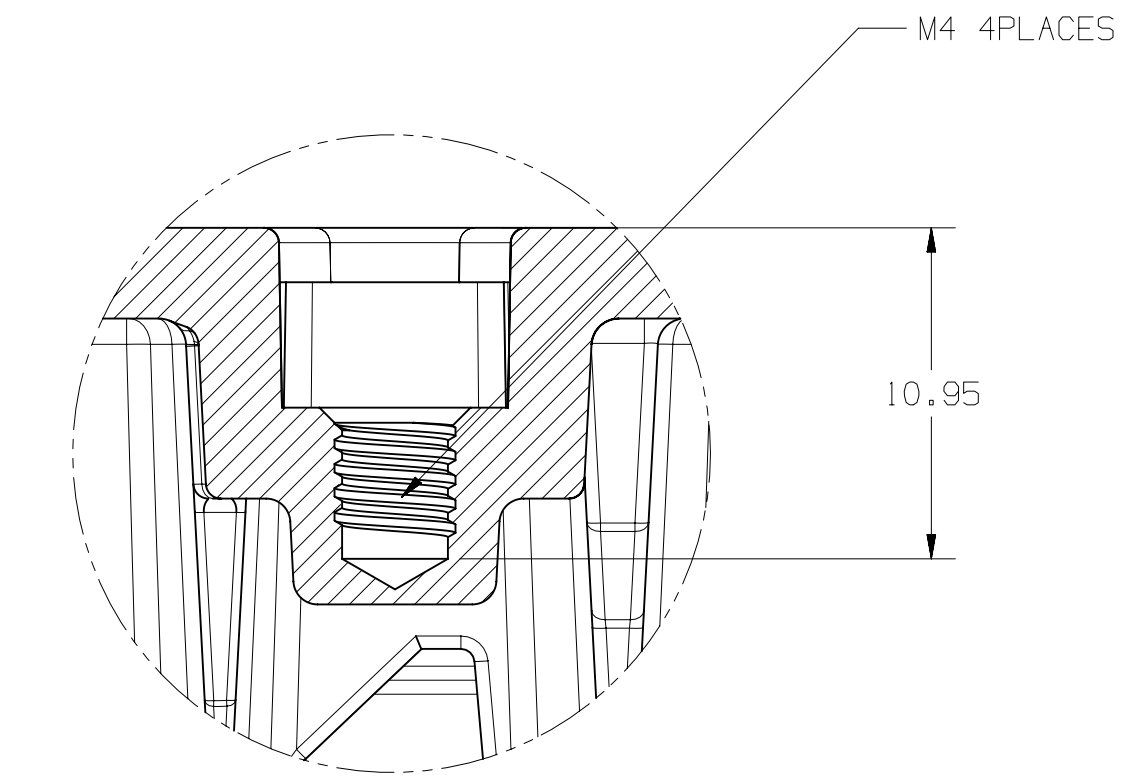


1 2 3 4 5 6 7 8 9 10 11 12 13 14 15

A B C D E F G H I J K L M



SECTION A - A



DETAIL Z
SCALE 4:1

| DRAWING NO: MXWAPXD2 OUTLINE | | REV: XX |
|------------------------------|-----------------------|------------|
| REVISION RECORD | | |
| REV NUMBER | DESCRIPTION OF CHANGE | DATE/YY/YY |
| XX | FOR REFERENCE ONLY | |

SHURE 5800 N TOLSON AVENUE
 NILES, IL 60154-4608
 SHURE INCORPORATED 847-800-2000
 WWW.SHURE.COM

CONFIDENTIAL

NOTICE
 THIS DRAWING IS THE PROPERTY OF SHURE INCORPORATED AND IS DISCLOSED TO YOU IN STRICT CONFIDENCE AND WITH THE UNDERSTANDING THAT IT IS NOT TO BE REPRODUCED, COPIED, OR USED EXCEPT FOR THE PURPOSE OF PRODUCING TOOLS OR PRODUCTS ENGINEERED BY SHURE. INCORPORATED. COPIES OF THIS DRAWING ARE TO BE MADE ONLY WHEN NECESSARY FOR THE PURPOSE STATED ABOVE AND ALL COPIES MUST BE RETURNED ON REQUEST. THIS DRAWING AND ALL COPIES MUST BE RETURNED ON REQUEST.

NOTES:
 1. SIX FIG. MODEL - DO NOT SCALE
 2. MUST CONFORM TO ENVIRONMENTAL COMPLIANCE SPEC - 6A276
 3. ALL DIMENSIONS IN MM UNLESS OTHERWISE SPECIFIED
 4. INTERPRET THIS DRAWING PER ASME Y14.5-2009

DESCRIPTION: EAR HABLE
 MXWAPXD2 OUTLINE

TOLERANCES: 1 PL. ± .2 PL. ± .1

DRAWN: LASTNAME FIRST MW/00/YY SHEET 1 OF 1
 ENGR/RS: SCALE: 1:1
 DWG NO: MXWAPXD2 OUTLINE REV: XX

1 2 3 4 5 6 7 8 9 10 11 12 13 14 15